

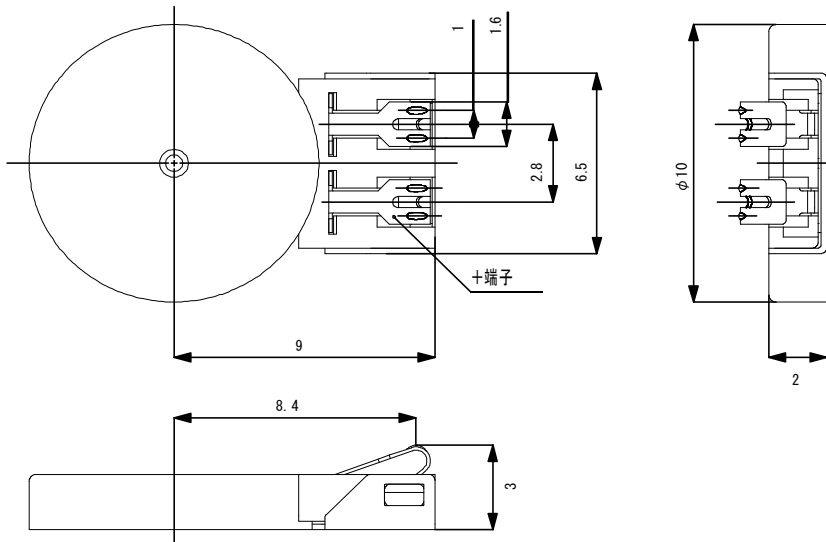
BL-G1020

Brushless Coin Type Vibration Motors

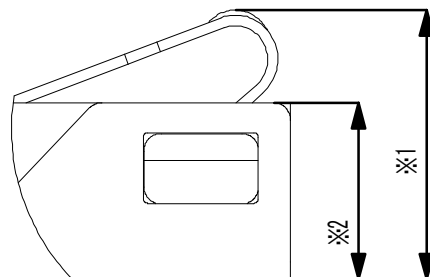
Specifications

Products		BL-G1020-□□		
	Unit	Min.	Typ.	Max.
1 Operating Voltage	V DC	2.5	3.0	3.7
2 Rated Speed	rpm	8,500	11,000	13,500
3 Rated Current	mA	-	100	110
4 Starting Voltage	V DC	-	1.8	2.2
5 Insulation Resistance	MΩ	10	-	-
6 Mechanical Noise	dB(A)	-	-	45
7 Outer Diameter	mm	-	10.0	10.2
8 Height	mm	-	2.0	2.1
9 Weight	g	0.8	0.9	1.0

Appearance



Contact Force



- 1. ※1 Maximum working position
- 2. ※2 Minimum working position
- 3. Contact force is 10mN*m at minimum working position